

**SPECIAL  
FEATURE**

**HOW TO AUDITION  
AUDIO CABLES**

# stereophile

ONLINE AUTHORITY:  
[WWW.STEREOPHILE.COM](http://WWW.STEREOPHILE.COM)

**CUTTING-EDGE  
SPEAKER DESIGN:**

# KEF'S BLADE TWO

› **GREAT-SOUNDING AMPLIFIERS**  
FROM HEGEL, LUXMAN,  
CHANNEL ISLANDS AUDIO, VAC

› **HIGH-PERFORMANCE  
PHONO CARTRIDGES**  
FROM IKEDA, ORTOFON,  
SOUND SMITH

› **THE BBC SPEAKER  
TRADITION: HARBETH'S  
SUPER HL5PLUS**

› **MUSIC ON THE MOVE**  
FROM AURENDER, PONO

**A  
N.E.W. LIFE:  
THE RETURN  
OF A  
LEGENDARY  
PROTOPUNK  
BAND**

\$7.99 JUNE 2015



**AURENDER FLOW  
D/A HEADPHONE  
AMPLIFIER**

› P.113





# ANALOG BY MICHAEL FREMER CORNER

THIS ISSUE: Ikeda Sound Labs Kai cartridge plus more on Ortofon's MC A95 cartridge.

## A Tale of Two Cartridges

**B**ut first, the blowback I expected following my April 2014 column on Synergistic Research's Uniform Energy Field Technology room treatments never arrived—in fact, quite the opposite. My own positive experience of the UEF devices was confirmed by e-mails from readers who'd already used them, and from those who'd taken up Synergistic's offer of a money-back guarantee. Skeptics will charge that what I and these readers heard is evidence of confirmation bias, but people say this about any positive remarks made about audio components priced above \$500.

The other day, I received an e-mail from Art Noxon, who invented the TubeTrap room treatment, manufactured by Acoustic Sciences Corp. TubeTraps have been a staple of studios, home theaters, and audiophile listening rooms for more than a quarter century now, and no one disputes their efficacy or the science behind them. I've had TubeTraps in my listening room for most of those years; without them, I'm not sure bass behemoths like Wilson Audio Specialties' Alexandria XLFs could work in my moderately sized room.

So it was with a great deal of amusement that I read Noxon's e-mail:

*Michael, you mentioned Rayleigh Waves, ice picks, and TubeTraps all being part of an odyssey-packed evolution of your old listening room.*

*Because I invented the TubeTrap, I have been able to work continuously on room acoustics for 30 some years, which is a long time to do one thing.*

*One of my friends at the time of the actual invention of the TubeTrap was a trained aeronautical engineer who would later go*

*back to grad school for his master's degree in architecture and become a teacher in [the] architecture school at the University of Oregon. He eventually opened up his office and called me in to do the acoustics. He said "no way" to every traditional way of doing acoustics I could come up with.*

*During these hands-on design sessions I kept explaining the basics to him to no avail, and then he came up with something. We tried it and it worked. Your ice-pick routine is just about what we did.*

*We put sound-absorbing materials into the wall cavities and developed ways to vent bass-buildup pressure in the corners of the room into the air cavities inside the walls of the room.*

*We made a leaky baseboard that looked solid and could handle mopping, foot impact, cleaning, and painting, and, in addition to all that, it had long slits of open space that actually vented air pressure in the room into the wall-cavity air spaces. I'm sure all the rooms he designed after that one had his tricky dick invisible acoustic design built in.*

*His focus on good room acoustics was for speech-range sound in small and sparsely furnished rooms. It was not for high-power audio systems in small rooms. But still, it worked for what it was intended [to do].*

*Thought you'd like to know that the maniac with the ice pick wasn't just crazy.*

Noxon went on to ask if I'd like to try the latest version of TubeTraps, and of course I said I would. My point is this: If you're still skeptical about sticking Synergistic's tiny horn resonators on your walls or stabbing your walls and floors with an ice pick, please reconsider—though the stabbing is best left to the Rayleigh Wave experts.

### IKEDA SOUND LABS KAI MOVING-COIL CARTRIDGE

With so many young people getting involved, these are vinyl playback's salad days—but they wouldn't be possible without the input and expertise of the oldsters. Beginning in the 1960s, Fidelity Research, of Japan, produced tonearms and cartridges that were then considered to be among the world's best. The costly FR-24 tonearm and FR-1 moving-coil cartridge were objects of analog desire. The tonearm still is, though Fidelity Research folded during the digital onslaught of the 1980s.

Fidelity Research products were the creations of Isamu Ikeda, who founded Ikeda Sound Labs shortly after FR closed its doors. He began with a round-bodied, cantileverless cartridge that quickly found devotees, though it was almost impossible to accurately



align. In 2011, IT Industry Company Limited assumed control of Ikeda Sound Labs. IT claims that, in doing so, it bought the "spirit, technology and craftsmanship of Mr. I. Ikeda." I sought clarification.

Bill Demars of Beauty of Sound, an authorized Ikeda dealer in East Greenbush, a suburb of Albany, New York, told me in an e-mail that "Mr. Ikeda has taken a step away from

**Beginning in the 1960s, Fidelity Research, of Japan, produced tonearms and cartridges that were then considered to be among the world's best.**

the day to day activities of building cartridges. He trained the members of IT Industries and they are carrying the torch and building the product. He is still alive and around 89 years old."

To learn that Ikeda is alive, well, and still here to enjoy the vinyl resurgence is gratifying, but Demars and his fellow dealers need to update their websites. As I write this, his still claims that "These superlative phono cartridges



are hand-made by Isamu Ikeda of Ikeda Sound Labs.”

The current importer of Ikeda cartridges is Aaudio Imports, whose site does *not* make that claim. The top model in Ikeda’s line of five moving-coil cartridges, the Kai (\$8500), launched in 2012, outputs a very low 0.19mV and has an ultralow internal impedance of 2.5 ohms, which indicates few turns of coil wire and thus ultralow moving mass. Attached to the Kai’s boron cantilever is a familiar-looking, Micro-Ridge stylus of solid diamond. The recommended vertical tracking force (VTF) is 1.8gm,  $\pm 0.2$ gm. The claimed frequency range is 10Hz–45kHz, the channel separation “over 27dB (1kHz),” and the channel balance within 1dB at 1kHz. The Kai is relatively heavy at 11.5gm. Its body is made of alumite, an alloy of aluminum, iron, and obsidian, with a top plate of titanium. The generator system features a core of high-efficiency Permalloy (a nickel-iron alloy) and samarium-cobalt magnets. Given the Kai’s high mass, its compliance is appropriately low at  $7 \times 10^{-6}$ cm/dyne.

In other words, the Ikeda Kai must

**The Ikeda Kai must be used with a tonearm of relatively high mass and a phono preamplifier capable of high gain with low noise.**

be used with a tonearm of relatively high mass and a phono preamplifier capable of high gain with low noise. With a tonearm’s 14gm effective mass added to the cartridge’s mass of 11.5gm, the system’s total effective mass is 25.5gm, which should result in a fundamental resonant frequency of about 12Hz—the uppermost acceptable resonant frequency. In short: only high-mass tonearms need apply for this job.

**Ypsilon MC26-L step-up transformer**

Were I a gear slut, I’d have on hand at least one, and preferably two, current-amplification phono preamplifiers—say, the B.M.C. Phono MCCI<sup>1</sup> and the MR Labs VERA 20,<sup>2</sup> both specifically designed for ultralow-impedance

cartridges. But I’m not and I don’t, so Aaudio Imports’ Brian Ackerman sent, along with the Ikeda Kai, a sample of Ypsilon Electronics’ new MC26-L step-up transformer for use with Ypsilon’s VPS-100 moving-magnet phono stage, which I’d bought and which is still my favorite phono preamp.

The MC26-L, designed for use with very-low-impedance cartridges, has a 26x turns ratio that produces 28.3dB of gain. Without additional plugs, the cartridge “sees” a load of 70 ohms. Ypsilon’s recent L-model transformers are far larger than their standard models, and so is the MC26-L’s cost: \$6200. The pure-silver-wire option (not auditioned) sends the price into the stratosphere. But the reactions of those who’ve opted for the silver upgrade have been equally stratospheric. They send me e-mails.

**Listening**

When you spend \$8500 on a phono cartridge that’s been built, tuned, and

<sup>1</sup> See my review in the June 2013 issue or at [www.stereophile.com/content/bmc-phono-mcci-phono-preamplifier](http://www.stereophile.com/content/bmc-phono-mcci-phono-preamplifier).

<sup>2</sup> See my review in the December 2014 “Analog Corner” or at <http://tinyurl.com/k5nga2a>.



**CLEARAUDIO** Concept Turntable  
\$1,599



**MUSIC HALL** Ikura Turntable  
\$1,195



**AVID** Acutus Reference SP Turntable  
\$26,995



**VPI** Classic 3 Rosewood  
\$6,500



**REGA** RP10 Turntable  
\$5,495



**PRO-JECT** Xtension 10 Turntable  
\$3,250





**The Kai produced an unmistakably deep, wide, and tall soundstage.**

With azimuth electronically set and measured, the Ikeda Kai produced 30dB of channel separation and channel balance within 1dB. The optimized setting was achieved with only an infinitesimal deviation from perpendicularity of the cantilever's position

tested all by hand, you're entitled to something that meets or exceeds its claimed specifications—and whose stylus-and-cantilever assembly, when the tonearm is parallel to the record surface, produces a stylus rake angle (SRA) of close to 92°.

relative the record surface. Likewise, an SRA of 92° was obtained with the tonearm close to parallel to the record surface. In short, the Kai is superbly constructed. Clearly, the IT Industry team that Isamu Ikeda trained to build his cartridges learned well.

\$8500 is a considerable—some would say obscene—amount of cash for a phono cartridge. From your first listening session, you'd better *know* you're hearing something that sounds at least different from, and hopefully a lot more impressive than, your "average" \$3000 or even \$6000 cartridge. That was true of my experience of the Lyra Atlas (\$9500), the Ortofon Anna (\$8924), and the Clearaudio Goldfinger Statement (\$15,000), and it was true of what I heard from the Kai. To paraphrase what US Supreme Court Justice Potter Stewart said about obscenity in 1964, you'll know a good \$10,000 or an \$8500 cartridge when you hear it.

The Ikeda Kai must have arrived already broken in. Its sound didn't change over time, nor would I have wanted it to—although, as with the Lyra Atlas, whose sound in some ways it resembles, it won't be everyone's ideal.

Like the Lyra Atlas, the Goldfinger Statement, and the Transfiguration Proteus, the Kai could produce explosive dynamic swings that called into question statements about vinyl's supposedly limited dynamic

## NEW *READY-FOR-PRIMETIME* PLAYER

MADE IN USA

VPI Prime Turntable  
\$3,499



musicdirect® 800-449-8333 | MUSICDIRECT.COM



range. And, like the other cartridges mentioned, the Kai produced an unmistakably deep, wide, and tall soundstage.

While stage size, transient clarity—and, especially, transient speed—were noted when I played my usual reference LPs recorded in concert at Carnegie Hall (Tony, Harry, the Weavers<sup>3</sup>), it was two recordings of solo piano that demonstrated the Kai's dynamic and tracking abilities: Vol.1 of a series of direct-to-disc recordings of Beethoven's piano sonatas by Bernard Roberts (LP, Nimbus D/C 901; does anyone have a spare Vol.2 they'd care to send me?)—and John Lill performing works by Schumann on a restored 1964 Steinway: the Fantasy in C, Op.17; *Faschingsschwank aus Wien*, Op.26; and *Kinderszenen*, Op.15 (2 LPs, Green Room PRO 4001/2).

The Beethoven, a studio recording of the late 1970s, brings the piano into the listener's room; the Schumann, recorded by the legendary Tony Faulkner (Green Room Productions is his company) in London's Henry Wood Hall, a former church, brings you to the concert hall. The latter was recorded in 2003 using a pair of tubed Neumann M50 microphones into an all-tube board designed by Tim de Paravicini, and then to a Studer A80 analog deck modified by him. (It was also recorded in 24-bit/176kHz digital.)<sup>5</sup>

I don't know if the vinyl edition of the John Lill recording, mastered by Stan Ricker and pressed at RTI, is still in print, but if not, it deserves reissue using the original metal parts (which I bet are still at RTI). And you deserve to hear it. It probably didn't sell well, in part because Faulkner was clearly ahead of his time in releasing this in 2004, before the vinyl revival had gathered steam.

The Kai managed well with the direct-to-disc Beethoven, which is difficult to track; it produced intensely clean, fast, properly percussive initial transients followed by moderately generous sustain and appropriate decay, given the dry studio acoustic. As with the Lyra Atlas, the Kai's accent was on the attack. For more generous sustain and more "wood," see, for example, the Lyra Etna.

That said, there was still more wood and less "tinkle" than that description might lead you to conclude. With the Nimbus set, the Kai's rhythm'n'pace, macrodynamic explosiveness, and

subtle microdynamic gradations would keep many rock-loving, classical-music-hating audiophiles in their seats and listening.

The Green Room recording produced an appropriately warm and spacious overall picture, and the Kai did an especially good job of separating the piano's image from the reverberant bath, while preserving the initial transients that define the music's rhythmic structure.

### **The Kai managed well with the direct-to-disc Beethoven, which is difficult to track.**

After a few weeks of listening, I decided—because of the Kai's slightly cool overall sound—to reduce the cartridge loading to around 40 ohms. While there are lush-sounding cartridges out there—particularly in the lower midrange and upper midbass, where the Kai was somewhat lean—with this loading it produced string tones sufficiently lush and rich to make me almost swoon during the fourth movement of Mahler's Symphony 9, with Sir John Barbirolli conducting the Berlin Philharmonic on a recent reissue of a deservedly legendary original (2 LPs, EMI/Electric Recording Company ASD 596/7).

The Kai's upper octaves, though airy, transparent, fully extended, and cleanly presented, were never noticeably sharp or etched—unless the recording itself was. Usually, when you lean out the lower midbass, the reward is a tighter, more rhythmically lithe and nimble musical line. That was the case with the Kai.

At audio shows, we've all become saturated with the same old demo tracks from Patricia Barber and Diana Krall. That's not their fault. Premonition Records has reissued Barber's albums in two-LP editions, mastered by Doug Sax from the original digital sources, and the new edition of *Companion* (Premonition 90762-1) is the best I've heard. (If you're getting only one of this series, *Companion*, with a "modern cool" version of Sonny and Cher's "The Beat Goes On," would be a good choice.) The Kai's rendering of Michael Arnpol's double bass perfectly straddled the line between

nimbleness and bass weight. I could hear and feel his fingers tugging on the strings, and the pleasingly deep, warm result. The Kai's overall bass performance was deep, fast, dynamic, and well controlled: punchy but not overdamped. Its expression of bass was full but not overfull—it never sounded like a subwoofer turned up too high.

The Kai excelled with rock. I compared four earlier versions of Led Zeppelin's *IV* with Jimmy Page's latest remastering, at 24/96 (LP, Atlantic R1-536184).<sup>6</sup> The Kai *rocked out*, producing tight, nimble bass, cymbal splashes that were properly grating and edgy, and, in "Stairway to Heaven," acoustic-guitar harmonic luxury, though with the accent on precise transient attacks.

**CONCLUSION:** The Ikeda Sound Labs Kai is a world-class moving-coil cartridge with very low output and a low compliance. It must be carefully mated with a low-noise, high-output phono preamplifier and a tonearm massive enough to produce a resonant frequency below 13Hz. Those requirements met, the Kai delivered prodigious dynamics, expansive soundstages, electrostatic-like transparency, fast and clean transients, and about as much detail and overall excitement as any cartridge I've heard. Its reproduction of harmonic colors was slightly lean, and its tonal balance pushed toward cool, but its overall sound was neutral enough that the final result you get will depend more on the rest of your system than on the Kai. If you want similar but somewhat warmer, more fully fleshed out sound, consider the Ortofon Anna.

I spent a long time with the Ikeda Kai, and genuinely enjoyed all of it. It correctly performed all of a cartridge's housekeeping chores—excellent tracking, superquiet groove tracing, a complete absence of mechanical artifacts—and its low residual coloration and fleet-footed overall sound made for many evenings of satisfying, exhilarating listening.

3 Tony Bennett, *At Carnegie Hall* (2 LPs, Columbia/Analogue Productions AAPP 823), Harry Belafonte, *Belafonte at Carnegie Hall* (2 LPs, RCA Living Stereo LPS-6006/Analogue Productions AAPF-6006), The Weavers, *Reunion at Carnegie Hall* 1963 (single-sided 45rpm LPs, Vanguard/Classic 2150).

4 I have this set, Mikey, but no, you can't have it.—**John Atkinson**

5 See my review of this release at <http://tinyurl.com/k843ncg>.

6 It's a tough job, but someone has to do it; read my review at [Analogplanet.com](http://Analogplanet.com).



**FOLLOW-UP: ORTOFON A95 MOVING-COIL CARTRIDGE**

With the Ikeda Kai (\$8500) in the Kuzma 4Point tonearm and the Ortofon A95 (\$6500; See "Analog Corner," May 2015) in the Continuum Audio Labs Cobra arm, and both arms mounted on the Continuum Caliburn turntable, it wasn't difficult to switch between them. But it wasn't instantaneous—I also had to switch from Ypsilon's MC-26L step-up transformer to their MC-16L. (Actually, the optimal step-up for the A95's output of 0.23mV would probably have been Ypsilon's MC-20L, but I don't have one. Ypsilon's Demetris Backlavas assured me that the MC-16L was sufficient to properly drive the VPS-100.)

Yarlung Records ([www.yarlungrecords.com](http://www.yarlungrecords.com)) will soon release on vinyl an AAA recording, *Vanish*, by the innovative percussion group Smoke and Mirrors. Currently available in various digital editions, the album is musically varied and thoroughly entertaining. I recorded three-minute-long samples from it at 24-bit/96kHz using various A/D converters, the Continuum Caliburn turntable, Ypsilon's VPS-100 phono preamp and MC-16L step-up, and the Ortofon A95 cartridge.<sup>7</sup>

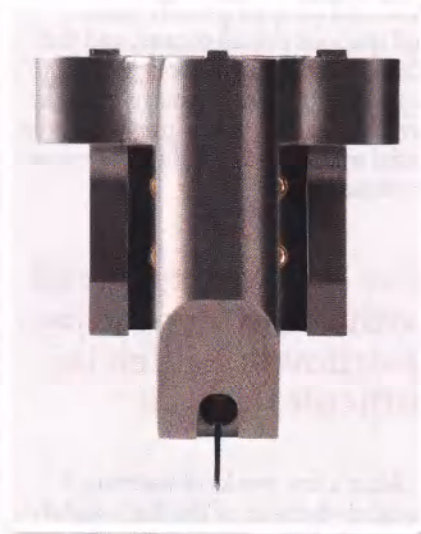
I also recorded 24/96 samples using the Ikeda Kai, and the differences were striking. The A95's tonal balance was warmer, and its reproduction of textures was more supple and inviting. That might come as a surprise to those who found Ortofon's A90 to sound cool, but the A95 was designed to produce some of the more expensive Anna's warmth while retaining the A90's speed and effervescence.

The track from *Vanish* that can be heard at [AnalogPlanet.com](http://AnalogPlanet.com) features a rapid xylophone run buried in the backdrop. It's a bumpy, icy cool, sharply lit ride. The A95 didn't at all soften or slow that ride, probably in great part due to the groove-tracing abilities of its Replicant stylus, but it did register the quickly changing harmonic envelopes produced by each mallet stroke.

The Kai registered the percussive element with greater ease, speed, and precision, but so shortchanged the harmonics that, until I switched to the \$2000-less-costly A95, I didn't recognize the sound as being produced by a xylophone.

On the other hand, the A95's overall sound couldn't match the Kai's

dynamic authority and just plain *slam*, or its dramatic soundstaging, or its ability to separate instruments on the stage—that's an area where the more



**The Ortofon A95's tonal balance was warmer than that of the Ikeda Kai.**



expensive cartridges, including the Anna (\$9500), excel.

The A95's stage, which I once heard as impressively wide and deep, now sounded compacted by comparison. Then again, by comparison, the Kai is more m&m shell, the A95 more rich, chocolatey center. The massed strings in the EMI/ERC reissue of the Barbirolli Mahler recording, for instance, produced a fullness and richness that the Kai couldn't, quite, while the Kai's soundstaging had a visual scale and drama that the A95's didn't. Quite.

Which was more "accurate"? Which

was more "musical"? I don't know. When making such comparisons, the important thing is to let your ears acclimate and adjust, just as you should when comparing speakers. Otherwise, like moths to a flame, your ears too easily gravitate to the brightest sound in the room.

With the Kai in the system, I missed the A95's tonal and textural expression. With the A95 in the system, I missed the Kai's dynamic explosiveness, huge soundstage, and 3D imaging.

DS Audio's DS-W1 optical cartridge arrived the other day. I immediately installed it on a second Kuzma 4Point arm, on Sperling Audio's turntable (review in the works), and then ended up missing what *that* cartridge did when I listened to the Kai or A95—not that there weren't things those two did that the DS-W1 didn't.

To put an end to my confusion, I fired up my Meridian Digital Music Server—and was suddenly inspired to clean my room. ■

Michael Fremer ([fremer@analogplanet.com](mailto:fremer@analogplanet.com)) is the editor of *AnalogPlanet.com*, a website devoted to all things analogical.

<sup>7</sup> The samples can be found at <http://tinyurl.com/le7wfk9>.

**CONTACTS**

**Ikeda Sound Labs**

IT Industry Company Limited  
4387, Yaho, Kunitachi-shi  
Tokyo, 186-0011, Japan  
Tel: (81) 42-576-2276  
(81) 42-312-0528  
Fax: (81) 42-574-2267  
Web: [www.soleberry.net/cartridge.html](http://www.soleberry.net/cartridge.html)

**US distributor: Audio Imports**

4871 Raintree Drive  
Parker, CO 80134  
Tel: (720) 851-2525  
Fax: (720) 851-7575  
Web: [www.audioimports.com](http://www.audioimports.com)

**Ortofon A/S**

Stavangervej 9  
DK-4900 Nakskov  
Denmark  
Web: [www.ortofon.com](http://www.ortofon.com)

**Ortofon Inc.**

500 Executive Boulevard, Suite 102  
Ossining, NY 10562  
Tel: (914) 762-8646  
Fax: (914) 762-8649  
Web: [www.ortofon.us](http://www.ortofon.us)